

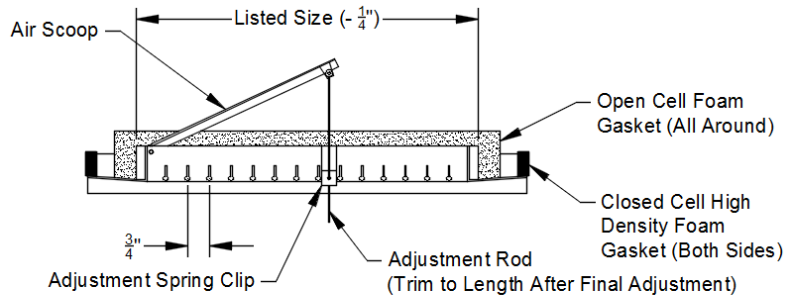
Model: \_\_\_\_\_ Size: \_\_\_\_\_ Tag: \_\_\_\_\_

Project Name: \_\_\_\_\_

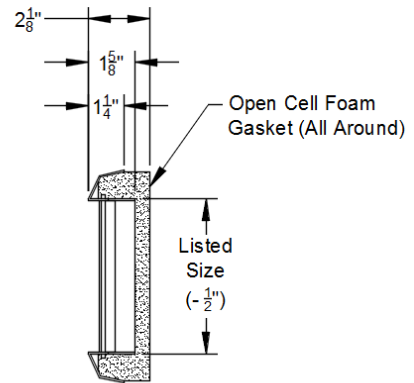
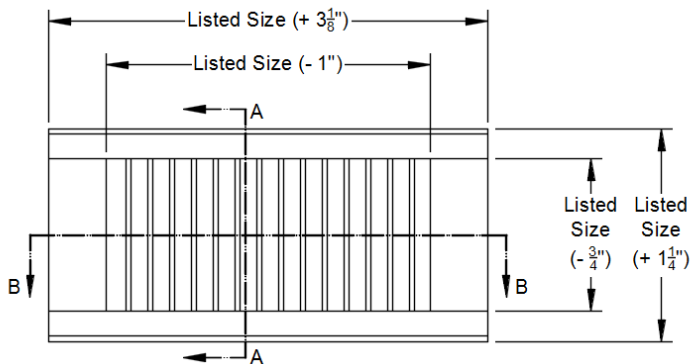
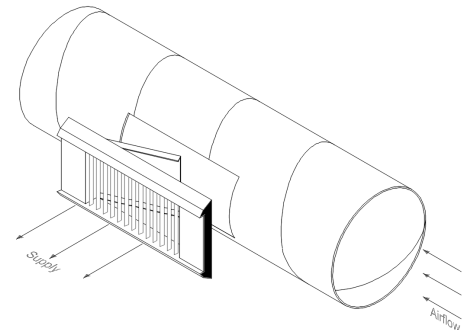
Project Location: \_\_\_\_\_

Engineer: \_\_\_\_\_ Contractor: \_\_\_\_\_

Distributor: \_\_\_\_\_ Representative: \_\_\_\_\_



**Section BB**



**Section AA**

Minimum and Maximum Duct Diameter						
Duct Diameter	Grille Height					
	3	4	6	8	10	12
Min/Max	10/36	10/36	12/36	20/36	24/36	24/36

**Features:**

- Aluminum Construction
- Individually Adjustable Blades
- Airfoil Blades

**Construction Options:**

- Optional Air Scoop

**Finish Options:**

- Pristine White Powder Coat Finish
- Aluminum Colored Powder Coat Finish

Note: This submittal is meant to demonstrate the general dimensions of this product. The illustrations are not meant to detail every aspect of the product. Drawings are not to scale. T.A. Industries, Inc. reserves the right to make changes without notice or obligations.