

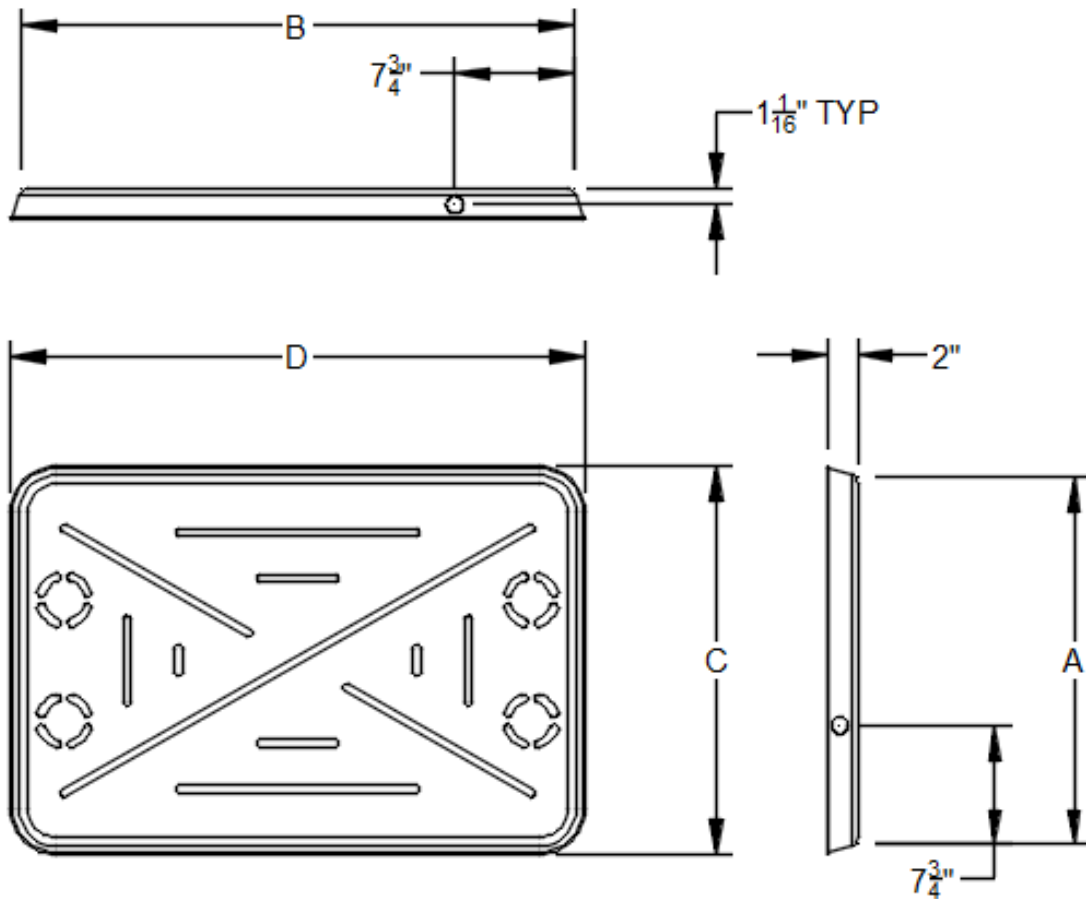
Model: \_\_\_\_\_ Size: \_\_\_\_\_ Tag: \_\_\_\_\_

Project Name: \_\_\_\_\_

Project Location: \_\_\_\_\_

Engineer: \_\_\_\_\_ Contractor: \_\_\_\_\_

Distributor: \_\_\_\_\_ Representative: \_\_\_\_\_



**Features:**

- Single Piece Steel Construction
- No Seams
- Rolled Edge
- G90 Zinc Coating
- 3/4" Female PVC Slip Fitting

Model	Dimensions					
	A	B	C	D	E	F
DPG 24X36	24"	36"	25-3/8"	37-3/8"	12"	18"
DPG 26X26	26"	26"	27-3/8"	27-3/8"	13"	13"
DPG 30X66	30"	66"	31-3/8"	67-3/8"	15"	33"
DPG 32X36	32"	36"	33-3/8"	37-3/8"	16"	18"
DPG 32X48	32"	48"	33-3/8"	49-3/8"	16"	24"
DPG 32X62	32"	62"	33-3/8"	61-3/8"	16"	31"

Note: This submittal is meant to demonstrate the general dimensions of this product. The illustrations are not meant to detail every aspect of the product. Drawings are not to scale. T.A. Industries, Inc. reserves the right to make changes without notice or obligations.

Model: \_\_\_\_\_ Size: \_\_\_\_\_ Tag: \_\_\_\_\_

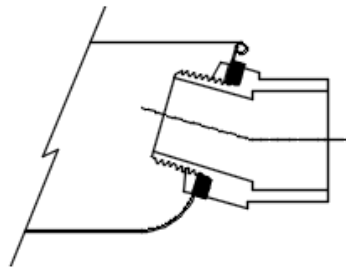
Project Name: \_\_\_\_\_

Project Location: \_\_\_\_\_

Engineer: \_\_\_\_\_ Contractor: \_\_\_\_\_

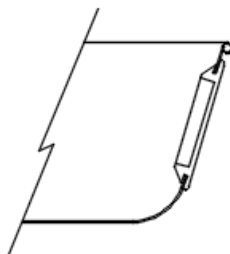
Distributor: \_\_\_\_\_ Representative: \_\_\_\_\_

### Drain Fitting Detail



- 1) Install black rubber washer on to threaded end of the drain pan coupling.
- 2) Insert the drain pan fitting with rubber washer from the outside of the drain pan.
- 3) Install the locking nut onto the threads of the drain pan fitting on the inside of the drain pan.

### Hole Plug Installation Detail



- 1) Install rubber hole plug from the outside of the drain pan.
- 2) Make sure that the back flange of the rubber hole plug is completely inserted in to the hole.
- 3) Ensure the back flange of the rubber hole plug is completely flush with inside drain pan surface.

Note: This submittal is meant to demonstrate the general dimensions of this product. The illustrations are not meant to detail every aspect of the product. Drawings are not to scale. T.A. Industries, Inc. reserves the right to make changes without notice or obligations.